

outdoor kitchen set nota

design **Darko Spiljaric**



Stand-alone **indoor-outdoor** mono-block kitchen

Contemporary mixture of aesthetics and functionality in service of **cooking and entertaining**

Fully equipped **food preparation system**

Wide selection of **high-end appliances** for any style of cooking

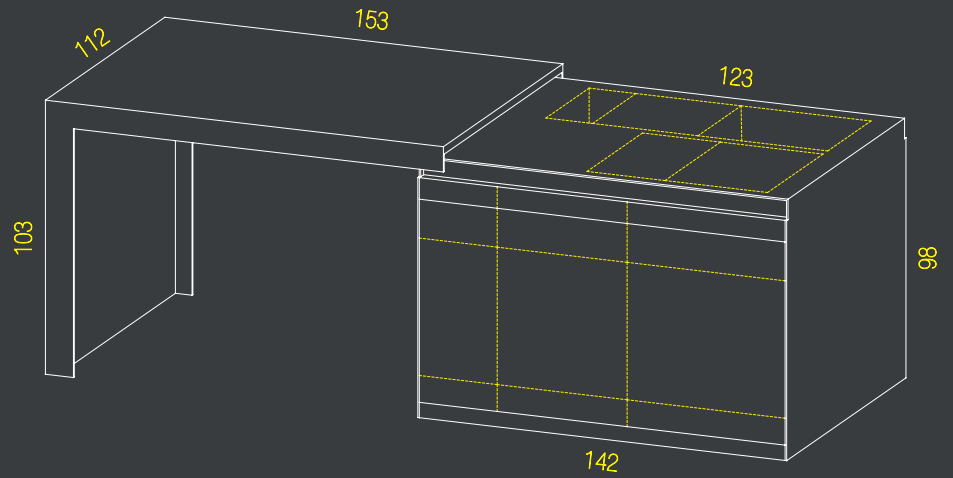
Sliding top is a larger food preparation area, dining space or a bar

included charging compartment for gadgets and wireless bluetooth speakers ensure entertainment is at hand at all times

Enjoy the outdoors with your favorite people



dizzconcept



nota white

Compact **dimensions** (wxdxh)

closed 153x112x103 cm
open 276x112x98/103 cm

Various **appliances** to choose from

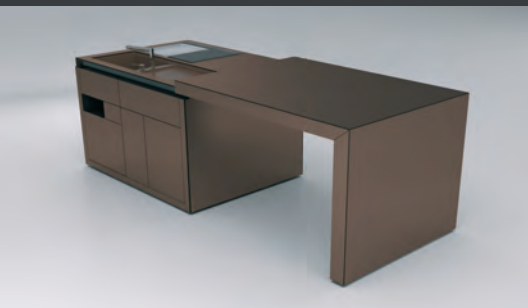
- hobs** (induction, grill, wok, teppanyaki)
- ovens** (60 cm electric, microwave, steam)
- refrigerators** (standard, beverage)
- sink** (prep-station)
- dishwasher** (45 cm)



nota white+anthracite

High quality **materials**

bearing structure - stainless steel frame on adjustable feet
carcasses – waterproof plywood panel
worktop, sliding top, front and side panels – high pressure laminate panels
waterproof cover - polyester



nota copper

Single color or combination **finishes**

nota is produced in four finishes:
white, white+anthracite, copper and copper+anthracite



nota copper+anthracite

nota is fully customizable in regard to different types of food processing. Weathertight cabinets accommodate storage space, refrigeration and/or washing appliances, while worktop can offer a prep sink and/or several kinds of domino hobs to choose from. Whether you choose induction, grill, wok, teppanyaki hob or oven, there is no end to what can be prepared in this compact gem of a kitchen.

Entertaining is easy without having to go in and out to get drinks, prepare or wash up, and with charging compartment for digital gadgets and built in bluetooth speakers, all you need is your family and friends.